

One Stop Solution for All Steel Building Materials !

MIP Infra Materials LLP is the organization promoted and cultured by young and energetic team of qualified professionals having **experience in steel and allied products** relating to infrastructure building. The prime objective of the Organization is to provide the customer the best infrastructure products with **short delivery time at the best price**. Our highly motivated team is committed to serve the customers with the best products and best **ethical values**.



Our Strengths:

Highly professional and **qualified technical and management team** from India's Premier Educational Institutes. Team with high ethical values and morals in order to serve the best without compromise. Thorough and **strong background in production and in steel industry**. Ability to provide simple solutions of the most complex objectives.

We understand value of customer's money and We value their Trust..

Mission: To Establish as **Global infrastructure Material supply company** with total in-house production Facility.



Corporate Vision:

To provide the **best value products** to customers ethically and create a Team of highly efficient professionals for best deliverable.

Quality and Service Policy:

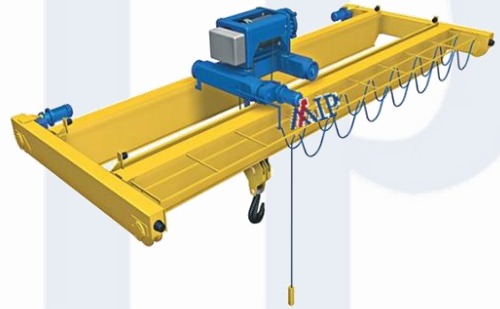
We are committed to provide the **best quality infrastructure materials** to our customers. We keep investing in the **training and skill development** of our team to achieve the quality objectives.

Our Products:

- ❑ Z/C Metal Purlins



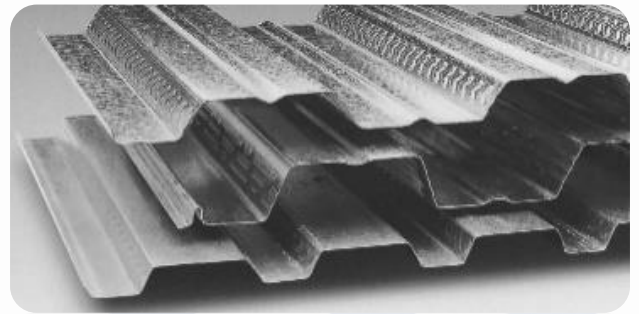
- ❑ EOT Crane Systems



- ❑ Color Coated Galvanized & Galvalume Steel Profile Sheets



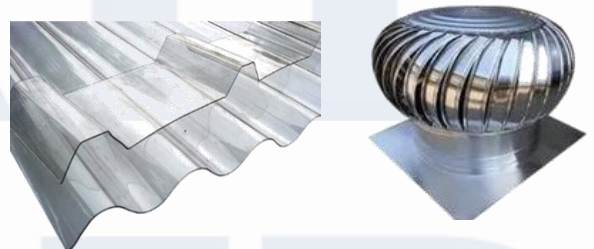
- ❑ Deck Steel Profile Sheets



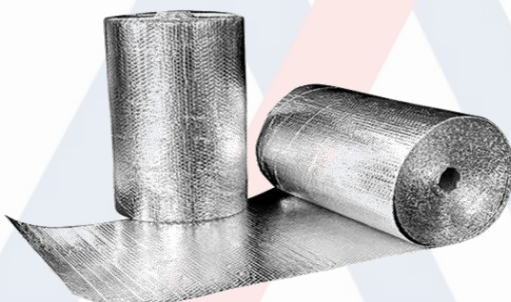
- ❑ Types of Foundation Bolts Systems



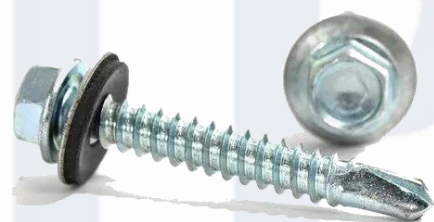
- ❑ Polycarbonate Profile Sheets and Turbo Ventilators



- ❑ Building Insulation Materials



- ❑ Self Drilling Screws



Z & C Purlins

C and Z Purlins As per Customer Requirement

Height - 150 to 300 mm

Thickness – 1.5 mm to 3.0 mm

Material:

HR, CR & Galvanised



Deck Sheets

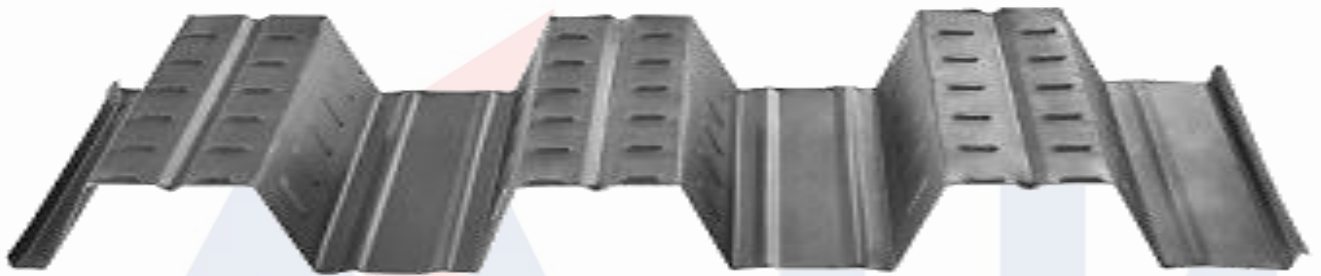
MetD Deck Sheet specifications:

As per customer requirement

Deck Sheets As per Customer Requirement

Thickness – 0.8 mm to 1.5 mm

Material – Galvanised Steel with 240MPa & 350 MPa



EOT Crane System

Span

3 m to 35 m (Single Girder)
5 m to 45 m (Double Girder)

Safe Working Load

0.5 ton to 20 ton (Single Girder)
0.5 ton to 50 ton (Double Girder)

Crane Control

From floor through Pendant Push Buttons
Optional through Radio Control

Drive System

Accordance with IS/BS/DIN structural parts
and other Miscellaneous parts with
IS/BS/DIN

Class on Duty standards

Equivalent to M3, M5, M7, M8 as per
IS/BS/DIN

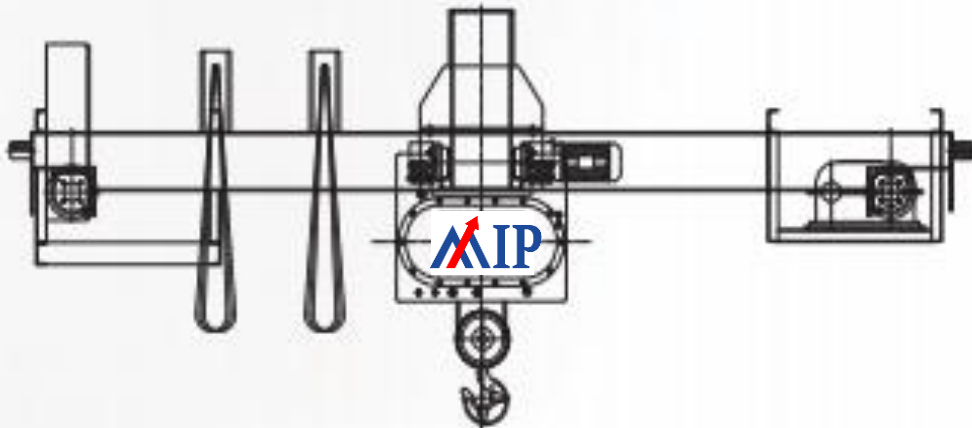
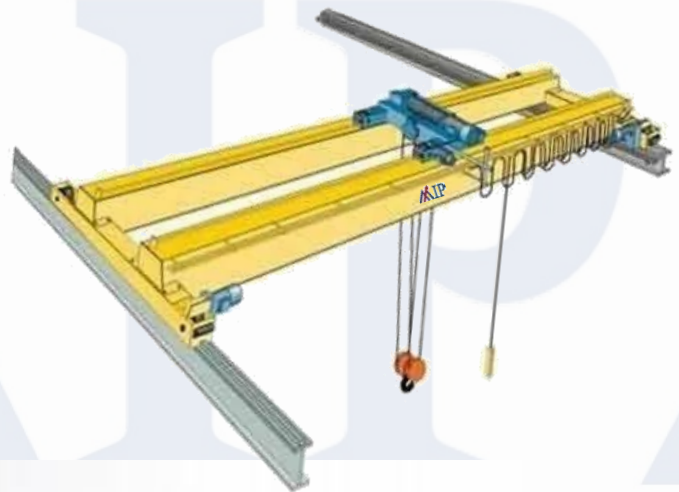
Speed

As per requirement client specification

SINGLE GIRDER EOT CRANE



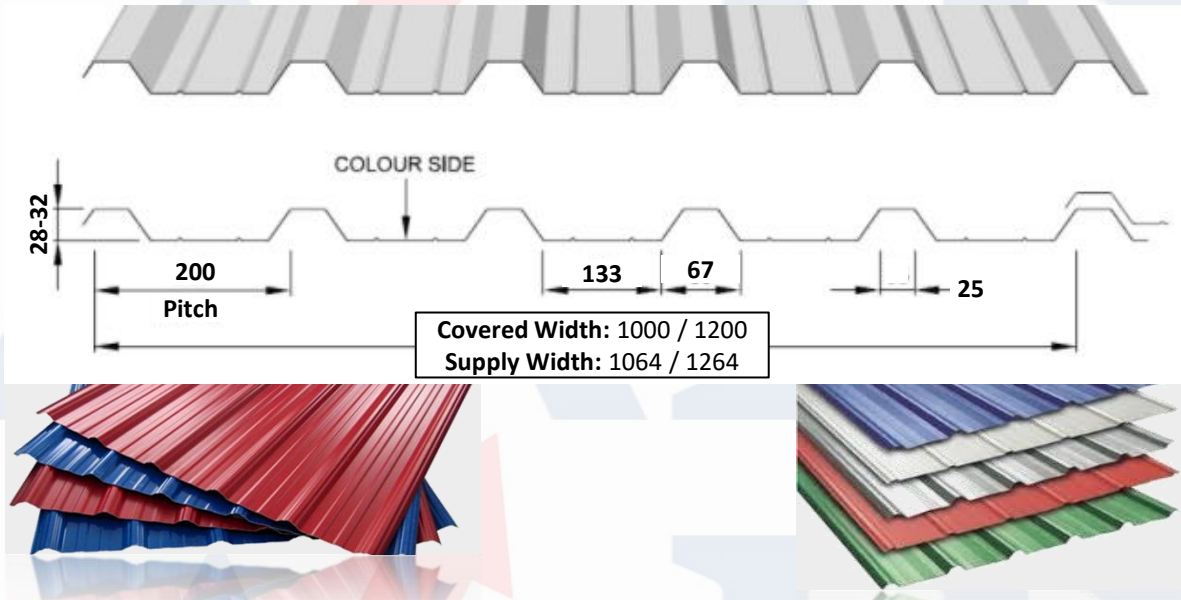
DOUBLE GIRDER EOT CRANE



The Most reliable Material Handling Equipment

Roofing Sheets & Accessories

Roofing Profile Sheets



Area of Application	Industrial & Commercial Projects
Manufacturing Technique	Cold Forming
Material	Steel
Surface Treatment	Galvanized, Color Coated (PPGI,PPGL) Only
Supply width	1064 mm / 1264 mm
Strength	240 to 550 MPa

Roofing Accessories



Plain Ridge



Corner Flashing



Gable Flashing



Box Gutter



Eave Gutter



Deep Trimes



Down Take Pipe

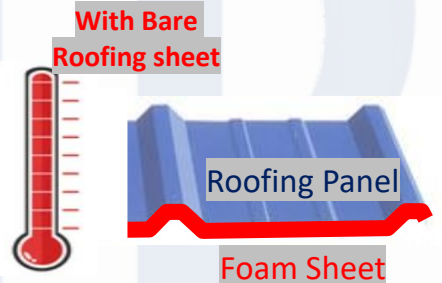
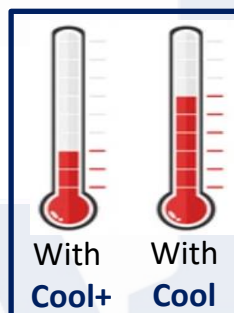
Make: **JSW** **AM/NS** **Manaksia**

MIP Roof Sheet Cool & Cool+

Laminated Roofing Panel with

Cool : 4mm Foam Sheet

Cool+ : 6mm Foam Sheet



Foundation Bolts

Specifications :

Material: MS / EN8 Steel

Finish: Black, Galvanized or Painted

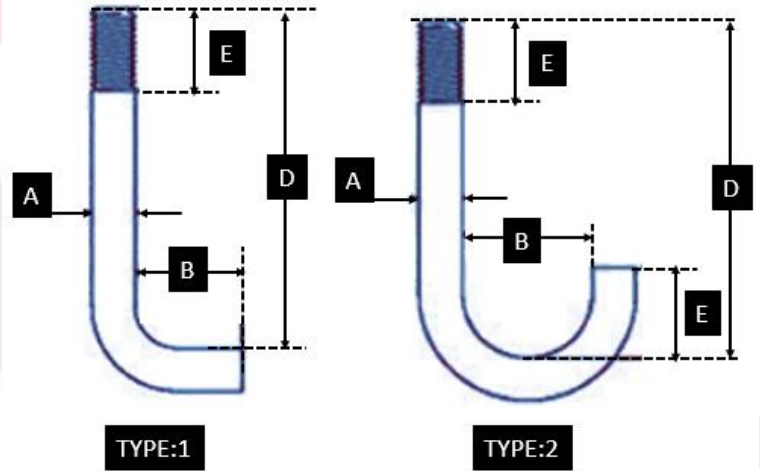
Size: As per customer Requirement

Example:

Type 2 Anchor Bolt

(A=1", D=24", B=6", E=3", J=3")

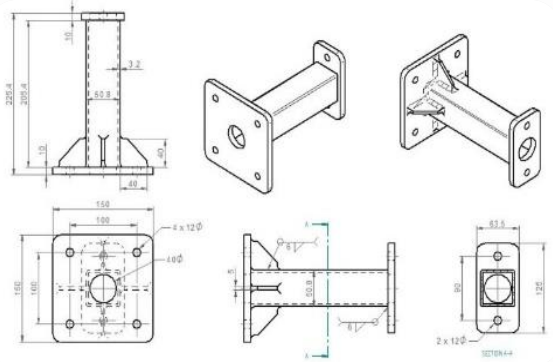
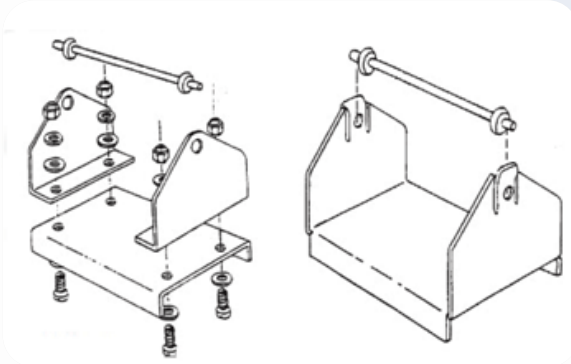
with one Hex Nut & 2 Plain Washer



Built to specification or drawings

Manufacturing quality parts as per customer specifications and / or Drawing with world class manufacturing facility

“Our goal is to build quality structures from the start by focusing on error *prevention* rather than error *correction*.”



One Stop Solution for All Steel Building Materials !

PC Profile Sheets, Turbo Ventilators, Self Drilling Screws & Roof Insulation

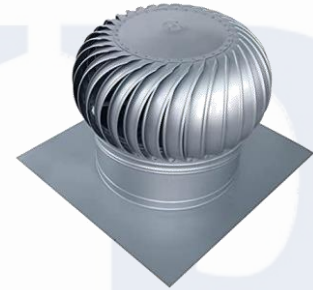
PC Profile Sheets



Material	Polycarbonate
Surface Treatment	Embossed
Brand	MIP LITE
Thickness Of Sheet	1.5 – 2.0 MM
Usage/Application	Roof / Wall
Features	UV Protective Coated

Turbo Ventilators

Material	SS / Aluminum
Base Diameter	21", 24" & 28"
Usage/Application	Industrial Roof
Features	No electricity required



Self-Drilling Screws



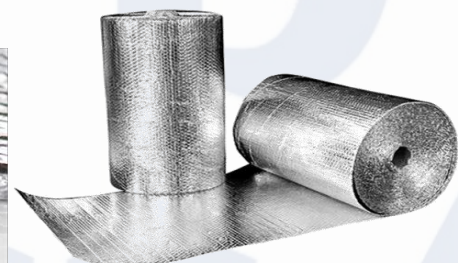
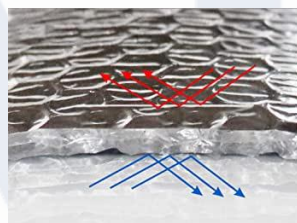
Description	Thread Length	Drilling Capacity		Maximum Total Thickness (MT) ¹		Recess	Coating ²	Box Qty
		Min	Max					
S-SLC 01 M HWH Collated	5/8"	0.018"	0.095"	3/32"	0.100"	5/16"	Zinc-2	250
S-SLC 02 M HWH Collated	3/4"	0.028"	0.120"	3/8"	0.375"	5/16"	Zinc-1	250
S-MD 10-16 x 7/8 HWH Collated	3/8"	0.028"	0.120"	3/16"	0.188"	5/16"	Zinc-1	250

Medium/Heavy Gauge Metal Applications (Frame Fastener)

Description	Thread Length	Drilling Capacity		Maximum Total Thickness (MT) ¹		Recess	Coating ²	Box Qty
		Min	Max					
S-MD 10-16 x 3/4 HWH#3 Collated	1/2"	0.110"	0.175"	3/8"	0.375"	5/16"	Zinc-1	250
S-MD 12-24 x 7/8 HWH#4 Collated	1/2"	0.175"	0.312"	3/8"	0.375"	5/16"	Zinc-1	250

Roof Insulations

- Reflective and Excellent Heat-sealing
- Excellent Tear-resistance & Higher Tensile strength
- Light Weight, Good Flexibility
- Waterproof and Environment Friendly



State of Art Manufacturing Facility

Roof Sheet Rolling



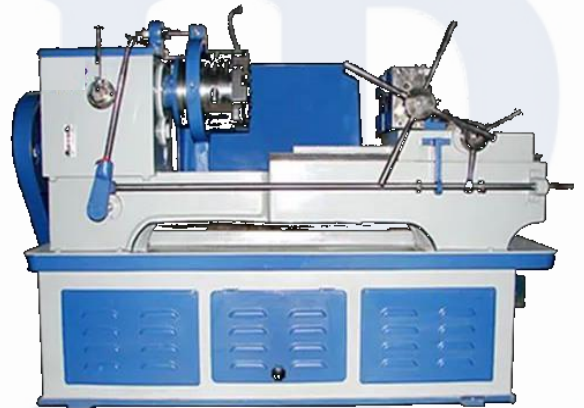
Deck Rolling



Purling Rolling



Foundation Bolt



Plasma cutting



SAW welding





INFRA MATERIALS LLP

One Stop Solution for All Steel Building Materials !

Factory: +91 9974981140
+91 9725538531
+91 9909910235

Factory and Registered Office:
202, Kamla Amrut Indi-tech Park,
Chhatral – Kadi Road, Vill. Indrad,
Dist.Mehsana, Gujarat, India 382715

Email us on -
mipinframaterials@gmail.com

Website:
www.mipinframaterials.com

